

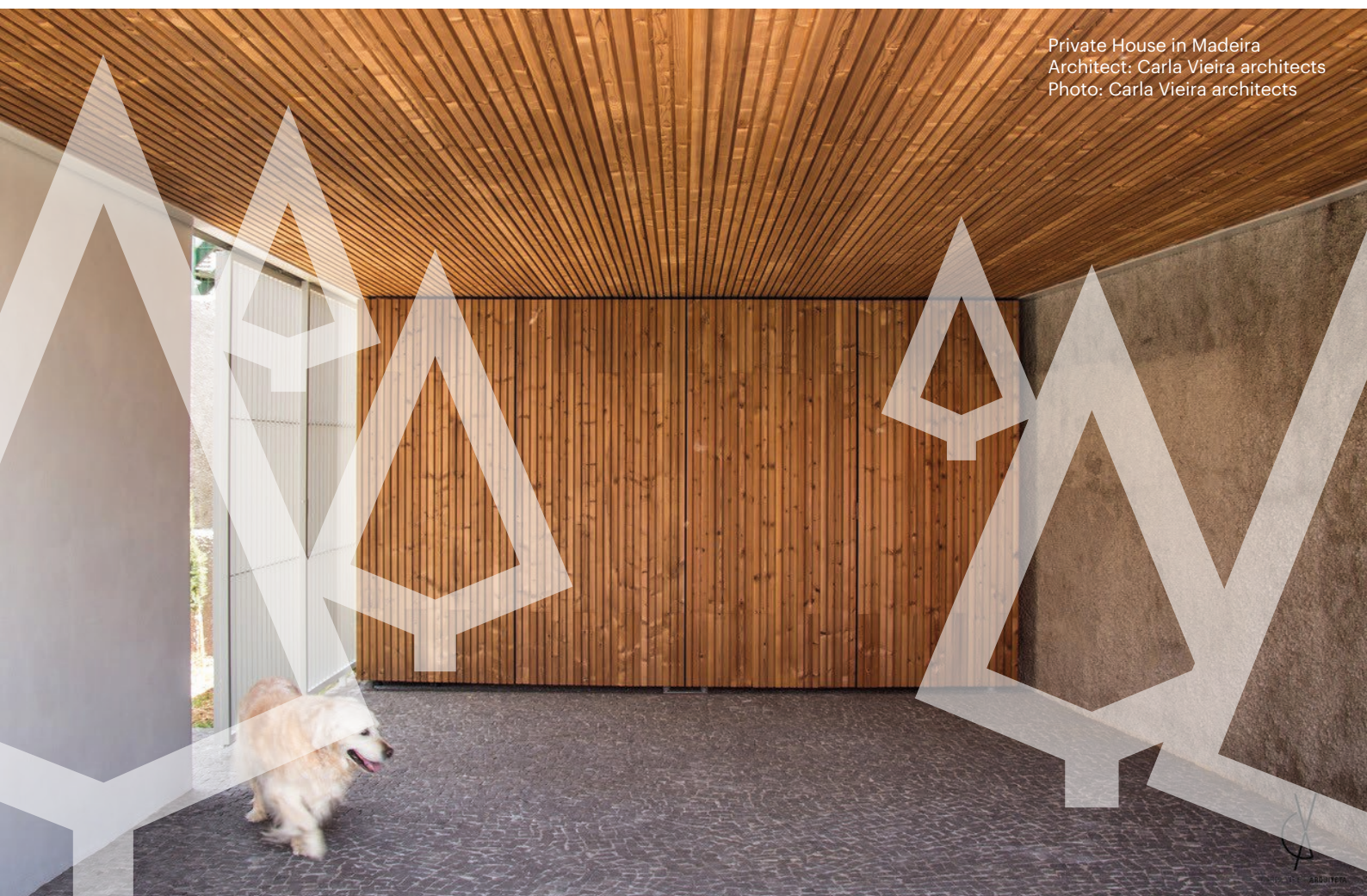


**LUNAWOOD**

**LUNA TRIPLE SHADOW**

32x140

INSTALLATION GUIDE



Private House in Madeira  
Architect: Carla Vieira architects  
Photo: Carla Vieira architects

LUNAWOOD.COM

# LUNA TRIPLE SHADOW 32x140

## Guideline for Luna Triple Shadow installation

Luna Triple Shadow 3D effect with easy installation in indoor and outdoor use.

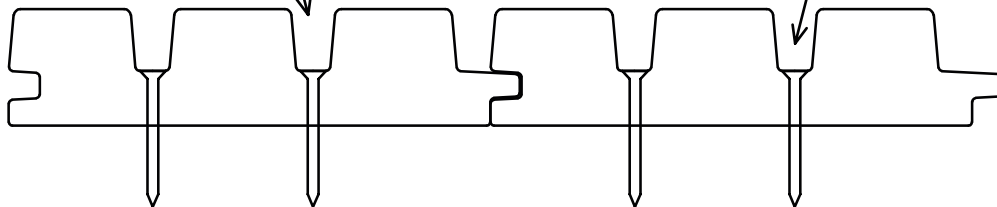
dimensions (mm)	32x140
class	LunaThermo-D
species	Nordic spruce
length (m)	3,0 - 5,4
m/m <sup>2</sup>	7,57
joist spacing (mm)	600



### OUTDOOR AND CEILINGS, mounting with screws:

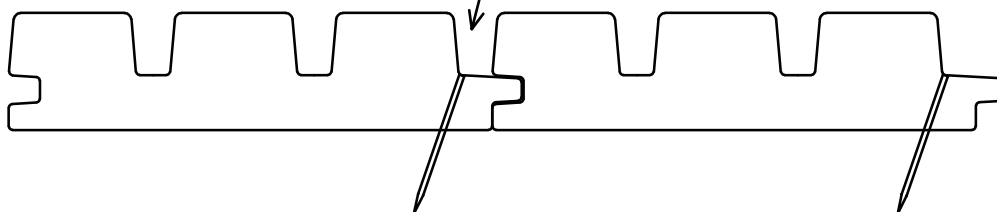
Stainless steel screw. Length 40 mm

Screw head diameter max 7 mm



### INDOOR, mounting with nailing:

Stainless steel nail. Length 40 mm

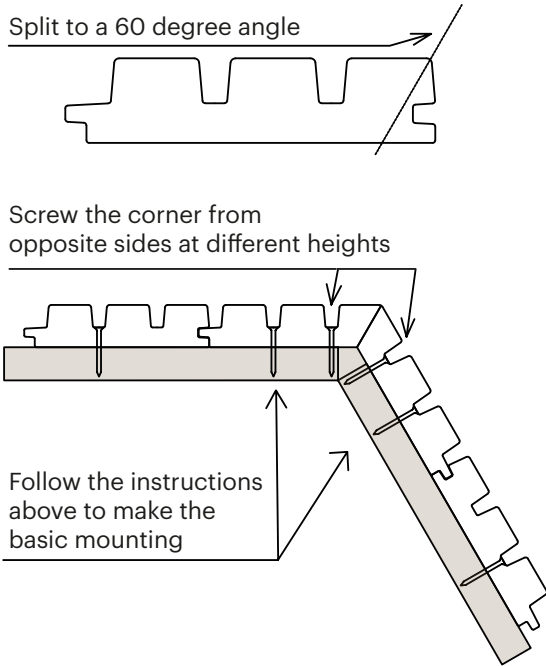


# LUNA TRIPLE SHADOW 32x140

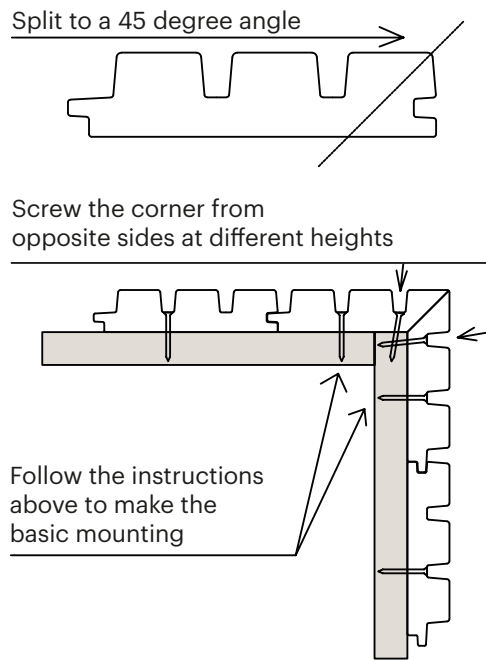
## Guideline for Luna Triple Shadow installation

### Luna Triple Shadow corner installation

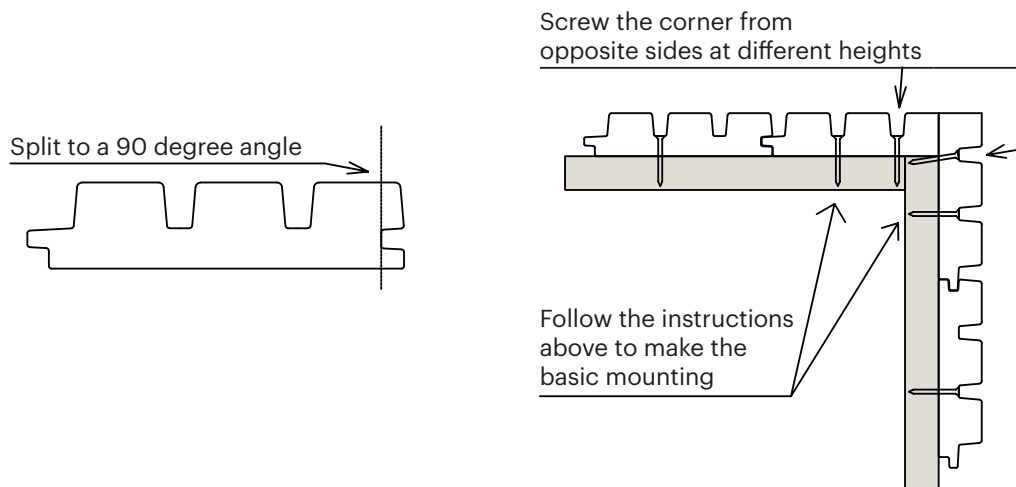
#### Miter 60 degree corner:



#### Miter 90 degree corner:



#### Basic 90 degree corner:

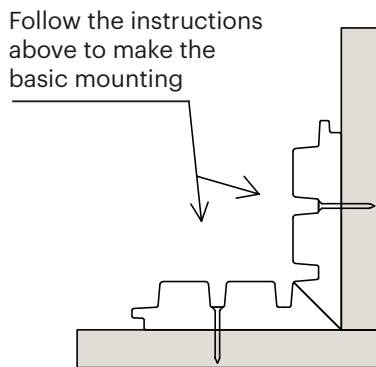
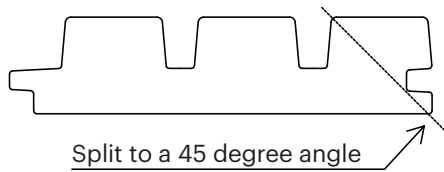


# LUNA TRIPLE SHADOW 32X140

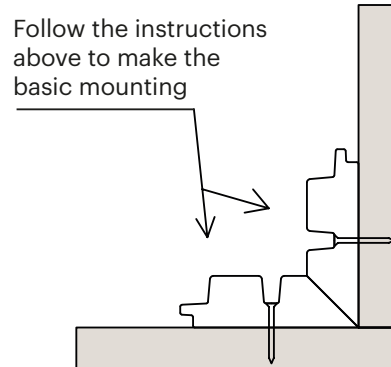
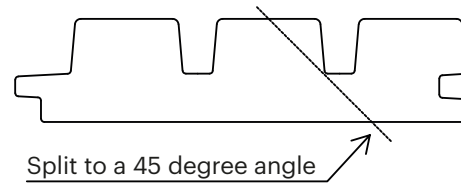
## Guideline for Luna Triple Shadow installation

### 3 ways to install internal corners

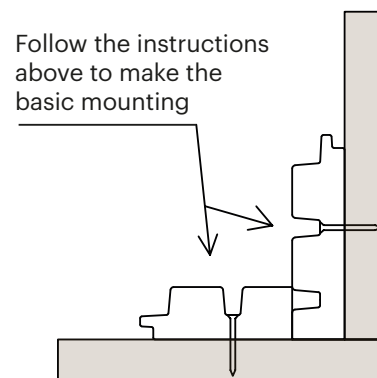
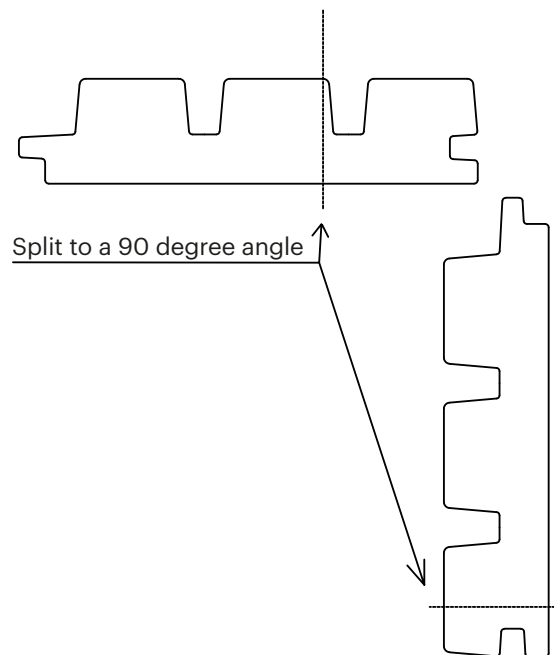
#### 1st way:



#### 2nd way:



#### 3rd way:



Provide adequate support structure in accordance with your local building regulations. Do not install lamps or other heavy objects directly to the product.